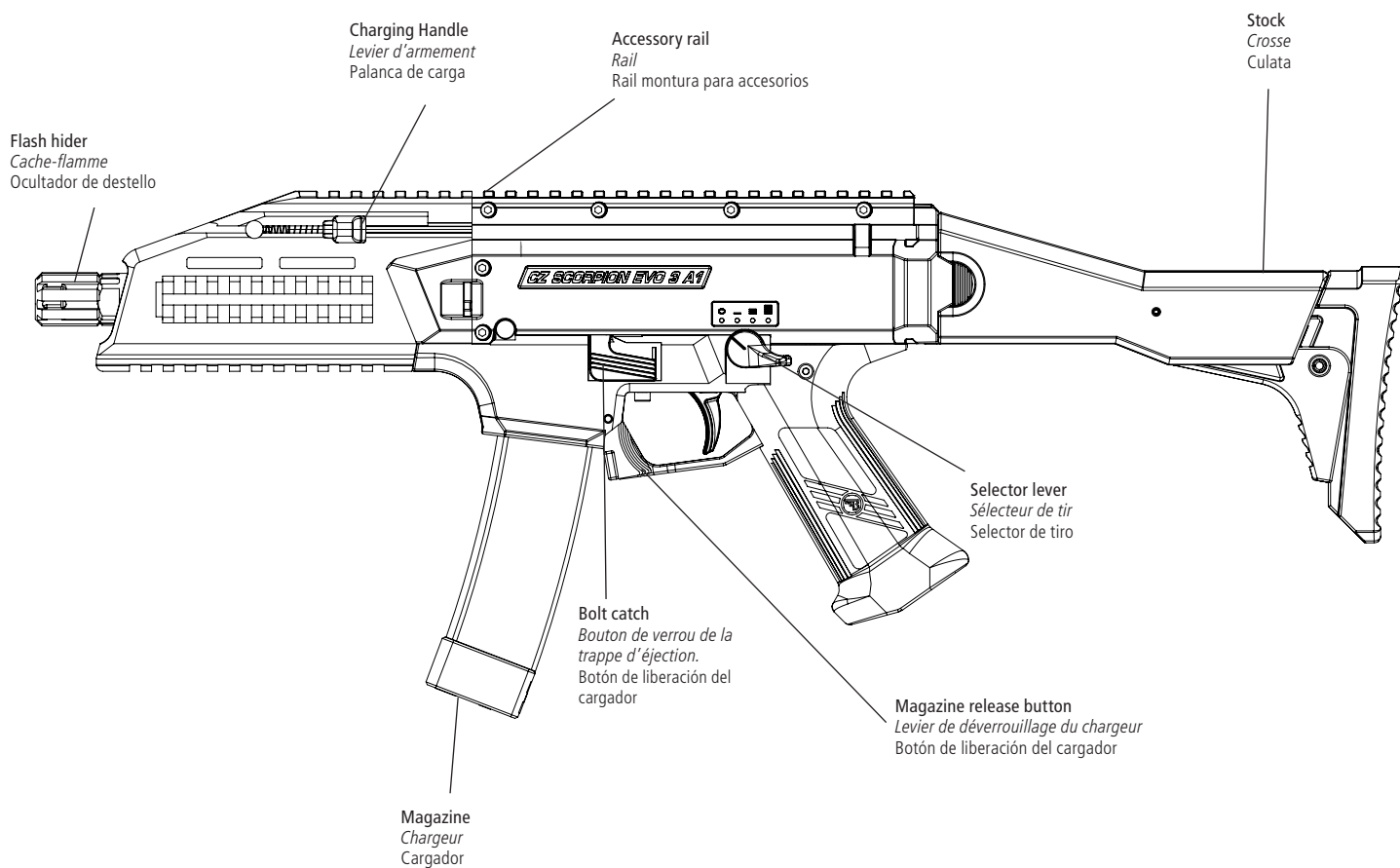


SCORPION[®]
CZ **EVO**  **3A1**

CZ Scorpion EVO 3 A1



Congratulations on your new CZ Scorpion EVO 3 A1 Airsoft gun. Read through this manual before use.

Félicitations pour votre nouveau CZ Scorpion EVO 3 A1. Lisez ce manuel avant utilisation.

Enhorabuena por su nuevo CZ Scorpion EVO 3 A1, un arma de Airsoft. Lea este manual antes de utilizar.

Not a toy. Adult supervision required. Misuse or careless use may cause serious injury or death. Always wear eye-protection when using this product. Read and follow instructions carefully before use. This product is a high-powered Airsoft gun, recommended for adult use (18 years and up).

Ceci n'est pas un jouet, et doit être placé sous le contrôle d'un adulte. Une mauvaise utilisation risque de provoquer des blessures sérieuses ou la mort. Utilisez toujours des lunettes de protection. Lisez et suivez les instructions avant utilisation. Ce produit est interdit aux moins de 18 ans.

No es un juguete. Es necesario contar con la supervisión de un adulto. El uso incorrecto o descuidado puede ocasionar lesiones graves o la muerte. Emplee protección ocular siempre que use el arma. Lea cuidadosamente y siga las instrucciones antes del uso. Debido a la gran potencia del arma de Airsoft, se recomienda que la utilicen mayores de 18 años.

Warning / Avertissement / Advertencia



Always wear safety goggles when using your Airsoft gun.

Portez toujours des lunettes de protection lorsque vous utilisez votre réplique.

Utilice siempre gafas protectoras cuando emplee su réplica.



Do not look directly into the gun barrel.

Ne regardez pas directement dans le canon de votre réplique.

No mire directamente hacia el cañón de la réplica.



Never aim or shoot at people or animals. Always set the selector on "safe" position (except when you are ready to shoot a target).

Ne visez et ne tirez jamais sur une personne ou un animal. Veuillez régler le sélecteur sur la position sécurité (excepté lorsque vous êtes prêt à tirer sur votre cible).

Nunca apunte o dispare hacia personas o animales. Mantenga siempre el seguro en la posición "safe" hasta que esté listo para disparar al blanco.



Select a safe place for operating the Airsoft gun. Avoid shooting in public places.

Choisissez un endroit sûr pour utiliser votre réplique à billes, évitez les endroits publics.

Escoja un lugar seguro para disparar la réplica. Evite lugares públicos.



Never shoot holding the Airsoft gun sideways as the BB pellets will curve (this is due to the Hop-up system).

Ne tenez jamais la réplique de travers. Les billes peuvent partir à droite ou gauche. (Cela est dû au système de Hop-up).

Jamás agarrar y disparar la réplica horizontalmente, por el sistema Hop-up los proyectiles BB podrán cambiar de dirección en el aire.



Do not disassemble gun yourself. Always contact your local retailer.

Ne jamais démonter ou modifier votre réplique. Veuillez contacter votre revendeur d'airsoft pour toute question.

No desarme la réplica usted mismo. Póngase siempre en contacto con el revendedor local.

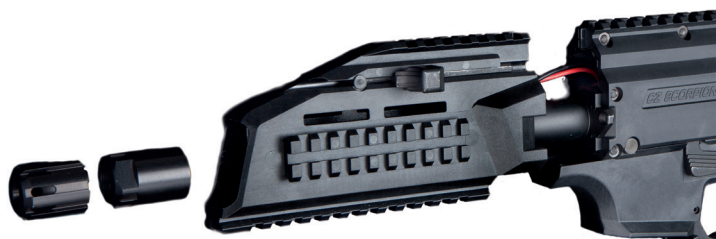


Always treat the Airsoft gun as if it were loaded. Do not carry the Airsoft gun in open view. Always transport the Airsoft gun unloaded in a locked case. Do not openly brandish the Airsoft gun, as this may be perceived by others (including law enforcement units) as a threat, and cause prompt reaction. Always use precision 6mm BBs for this Airsoft gun. Never use any used or damaged BBs.

Manipulez toujours votre réplique comme si elle était chargée. Ne pas porter cette réplique sur vous en public. Transportez toujours la réplique déchargée, dans une mallette verrouillée. Ne pas ouvertement brandir votre réplique, car cela peut être perçu par d'autres (y compris les unités de police) comme une menace, et provoquer des troubles à l'ordre public. Veuillez toujours utiliser des billes de précision avec votre réplique à billes 6 mm. N'utilisez jamais de billes déjà utilisées.

Siempre trate la réplica como si estuviera cargada. No lleve la réplica en vista pública. Transporte la réplica descargada, en una funda cerrada. No blandir la réplica abiertamente, ya que esto puede ser percibido por otras personas (incluso unidades de la policía) como una amenaza, y provocar una reacción instantánea. Utilice siempre BBs 6 mm para su réplica. Nunca utilice BBs disparados o dañados.

Battery installation



Set fire selector to safe 'O' position.
Unscrew depending on actual model the barrel/BET unit (carbine) or flash hider/barrel nut (A1).
Be careful and retain charging handle and forward sling mount.



Move the connecting wirers into the side groove.
Place two cells (1) in the receiver.
Connect the electrical plugs, and listen for the beep signaling a successful connection.



Lay the third cell (2) flat on top of the barrel.
Be careful to lay the plug flat on top of the third cell.
Grip the front-end with one hand holding the charging handle back.
Carefully slide the front-end back on, avoid scratching the battery casing.
Replace the barrel lock nut and screw the flash-hider back on.

AEG M95 version: 9.9 volt Life (min 900mA) with mini Tamiya connector
AEG M120 version: 11.1 volt LiPo (min 900mA) with mini Tamiya connector

Operating the stock



Fold it open until it locks in place.
Adjusting the length.
Depress the stock adjuster (1). Move the stock to the desired position
Folding the stock.
Collapse the stock completely.
Depress the lock button (2). Fold to side until it locks in place.

Load/reload



When the magazine is empty, the gun will stop firing. Grip magazine and press the magazine release (1). Pull magazine clear and store it away. Insert a loaded magazine, hear the magazine lock engage. Press down on the bolt release lever (2). Gun is now ready the fire! Be careful.



Use only 6mm high quality BB's. Standard magazine capacity is 75 bb's. Use a speed-loader (not included) for easy refill.

Power change



The EVO 3A1 can easily change the main power spring. Fold the stock forward. Depress the spring-guide (1), while pushing the stock (2) upward. Remove the stock.

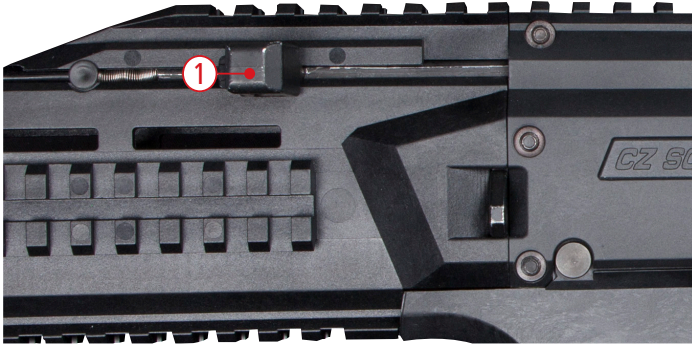


Depress the spring-guide completely and rotate 90°. Spring-guide (3) and main spring (4) will come out. Insert new spring, (follow recommended choice of springs to stay under warranty). Replace spring-guide, press it in and rotate 90° Replace stock if wanted.

With the factory installed gears, it is recommended to stay between minimum M100 and maximum M130. (Using different springs will void the warranty) **WARNING: DO NOT** shoot without spring installed.

Adjusting the Hop-up

By applying a back-spin to the BBs when firing, the trajectory of the BBs can be altered in order to obtain better flight and precision of the BBs – referred to as the Hop-up system. There are two types of Hop-up systems; the fixed and the adjustable. The adjustable Hop-up system allows for fine-tuning the trajectory of the BBs.



Pull charging handle (1) back. This will pull back the bolt cover revealing the hop-up dial (2).

Turn the dial to increase/decrease hop-up (an Allen key can be used for precision adjustment).

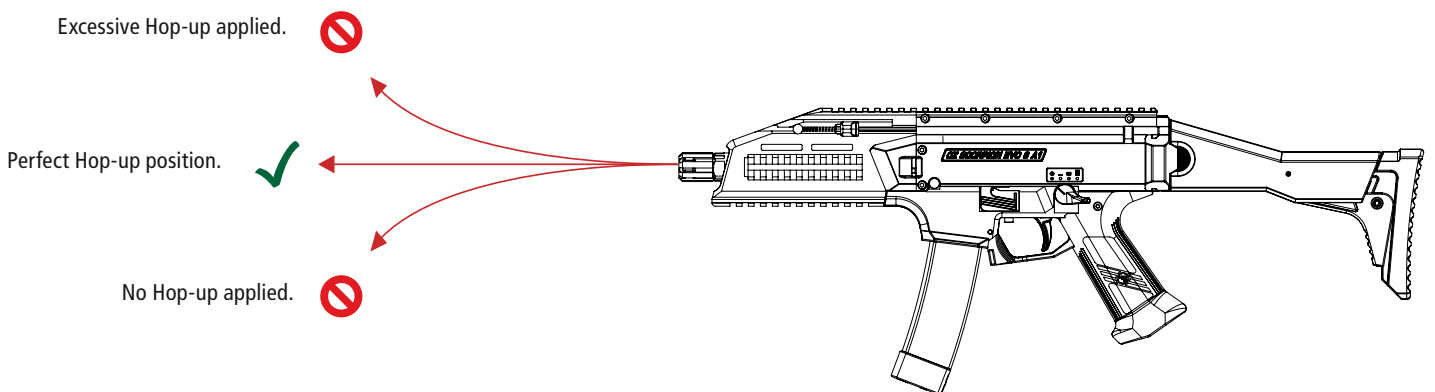
Shoot at a target and adjust until desired level of hop-up is achieved.

Press down on the bolt release lever to close bolt cover.

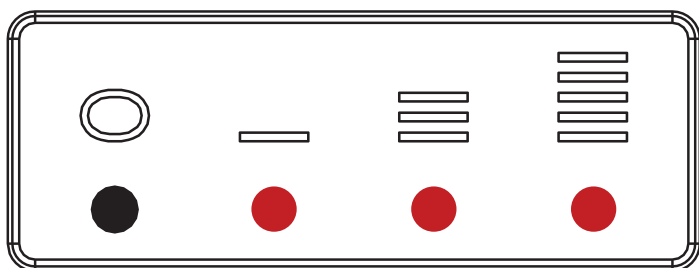


The Hop-up function can be unstable the first 200-300 rounds after applying oil. Oil should be applied for ca. every 10.000 rds. fired.

Turning the Hop-up dial excessively can cause the BBs to clog the Airsoft gun and damage the piston and gears. Reset the adjustment dial to normal and readjust the Hop-up.



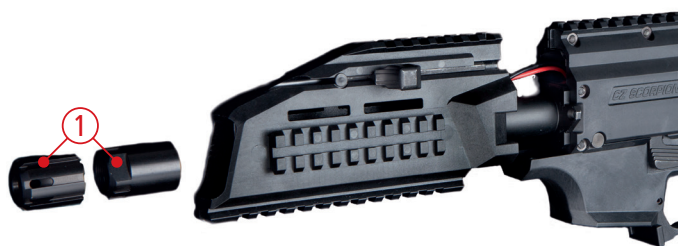
Fire selector



The EVO 3A1 has a 4-position fire selector.

- 0 Safe
- I Single shot, semi-auto
- III 3-shot burst
- IIII Full-auto

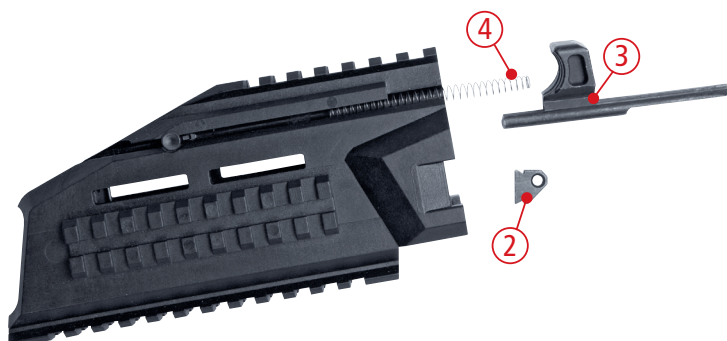
Charging handle on the left side



The EVO 3A1 is an ambidextrous Airsoft gun, and can easily be converted for left handed use.

Unscrew flash-hider and barrel lock nut (1).

Point down-ward and pull front-end straight off (Be careful and retain charging handle and forward sling mount).



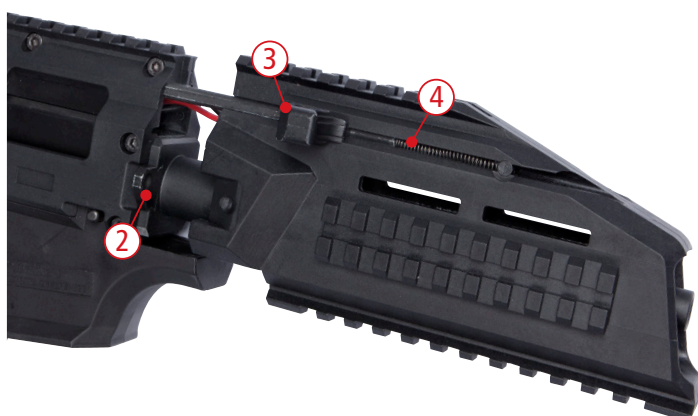
Move the forward sling mount (2) to left side.

Pull charging handle (3) fully out of front-end.

Take out charging handle spring (4).

Place spring on left side, ensuring the narrow end of the spring is towards the charging handle.

Insert charging handle on left side.



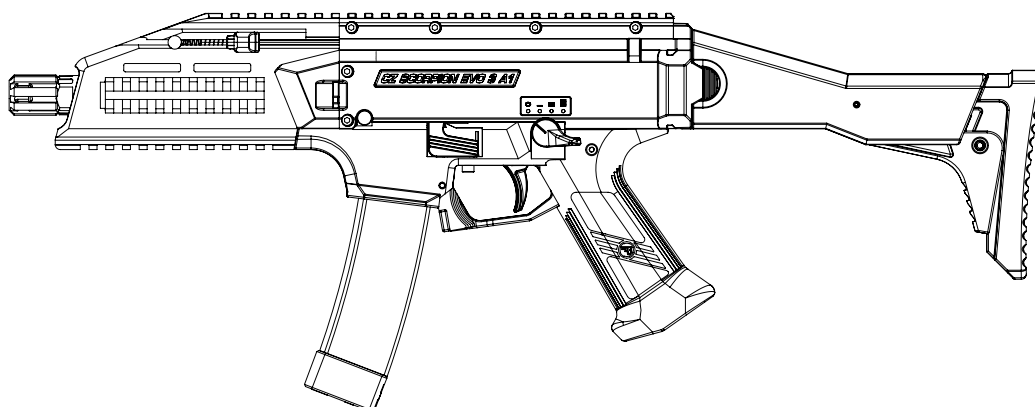
Reinstall front-end.

Grip the front-end with one hand holding the charging handle back.

Carefully slide the front-end back on, avoid scratching the battery casing.

Replace the barrel lock nut and screw the flash-hider back on.

Troubleshooting



The electronic control system can detect following problems:

- Low battery
- Short-circuits
- Mechanical failures (broken gears etc.)

In case of failure the EVO 3 A1 will sound two beeps and stop functioning.

1. First disconnect battery
2. Check battery
Check that the battery is fully charged
Try another battery
3. Check for short-circuits
Look for evidence of water penetration, if so place the gun in dry place and let it dry out.
Check wiring
Check for mechanical damages
This will require disassembling the gun and should be performed by a skilled Airsoft technician.

If the problem persists contact your local dealer for assistance.

If the gun does not sound any beep when connecting the battery.

Or

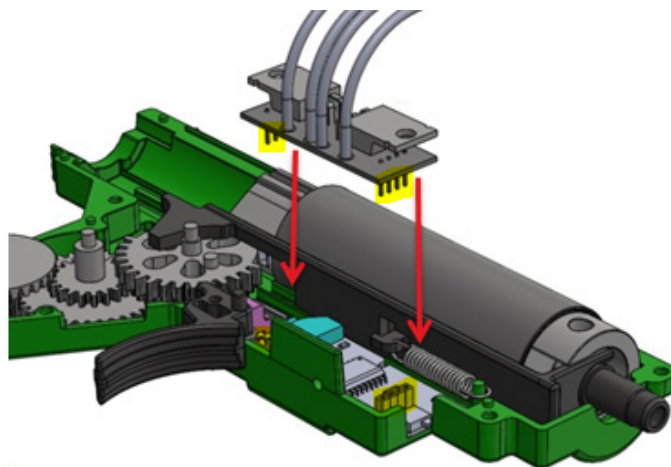
If the gun stops functioning altogether without sounding any beep

1. Check for disconnected motor plugs
2. Check for motor burn out

The absence of any beep sounds usual means there is problems with the motor or its connections, since it is the motor that emits the sounds.

Note that it is safe to try reconnecting the battery several times. The electronic control system will protect the gun from further damage

Note - Important! Never connect power when the two print parts (ECU & FET) are separated. Doing so will result in immediate destruction of the electronics. This only applies when doing maintenance on the EVO gearbox. Make sure that the pin connectors (marked yellow) are properly connected when assembling.



WARNING: The use of high-energy emission transmitters like handheld radios or similar devices, close to the gun may cause the onboard electronics to malfunction or be permanently damaged.



Caution

IMPORTANT! Always disconnect the battery immediately after use!

IMPORTANT : *Toujours déconnecter la batterie après l'utilisation de la réplique!*

WARNING: DO NOT shoot without spring installed. Using different springs, other than the **ULTIMATE** series, will void the warranty.

ATTENTION : *Ne pas tirer sans ressort. L'utilisation de ressorts non recommandés par la société ActionSportGames A/S annule la garantie de la réplique*

SCORPION[®] CZ EVO 3A1



Made in Denmark under licence by ActionSportGames[®] A/S, Denmark and Česká Zbrojovka[®], Czech Republic.
Hergestellt in Dänemark unter der Lizenz der Firmen ActionSportGames[®] A/S, Dänemark und Česká Zbrojovka[®], Tschechische Republik.
Fabriqu  au Danemark sous licence de la soci t  ActionSportGames[®] A/S, Danemark et de Česk  Zbrojovka[®], R publique Tch que.
Fabricado en Dinamarca bajo licencia de ActionSportGames[®] A/S, y Česk  Zbrojovka[®], Rep blica Checa.

 esk  Zbrojovka[®], Czech Republic and the logo are registered trademarks of Česk  Zbrojovka[®], Czech Republic and are used under worldwide exclusive licence for Airsoft guns by ActionSportGames[®] A/S, Denmark.
 esk  Zbrojovka[®], Tschechische Republik und das Logo sind gesch tzte Marken der Česk  Zbrojovka[®], Tschechische Republik und werden unter exklusiver Lizenz f r Airsoft gun von ActionSportGames[®] A/S, D nemark, verwendet.
 esk  Zbrojovka[®], R publique Tch que et le logo sont des marques d pos es de Česk  Zbrojovka[®], R publique Tch que et sont utilis es sous licence exclusive mondiale pour le Airsoft gun par ActionSportGames[®] A/S, Danemark.
 esk  Zbrojovka[®], Rep blica Checa y su logo son marcas registradas de Česk  Zbrojovka[®], Rep blica Checa y se usan bajo licencia exclusiva mundial para armas de Airsoft gun por ActionSportGames[®] A/S, Dinamarca.

Made in Denmark
by
ASG
ActionSportGames[®]

CZ

Licensed
6mm
Airsoft
guns

Proline[®]

SCORPION[®] CZ EVO 3A1

Made in Denmark under licence by ActionSportGames[®] A/S, Denmark and Česká Zbrojovka[®], Czech Republic.
Hergestellt in Dänemark unter der Lizenz der Firmen ActionSportGames[®] A/S, Dänemark und Česká Zbrojovka[®], Tschechische Republik.
Fabriqu  au Danemark sous licence de la soci t  ActionSportGames[®] A/S, Danemark et de Česk  Zbrojovka[®], R publique Tch que.
Fabricado en Dinamarca bajo licencia de ActionSportGames[®] A/S, y Česk  Zbrojovka[®], Rep blica Checa.

 esk  Zbrojovka[®], Czech Republic and the logo are registered trademarks of Česk  Zbrojovka[®], Czech Republic and are used under worldwide exclusive licence for Airsoft guns by ActionSportGames[®] A/S, Denmark.

 esk  Zbrojovka[®], Tschechische Republik und das Logo sind gesch tzte Marken der Česk  Zbrojovka[®], Tschechische Republik und werden unter exklusiver Lizenz f r Airsoft gun von ActionSportGames[®] A/S, D nemark, verwendet.

 esk  Zbrojovka[®], R publique Tch que et le logo sont des marques d pos es de Česk  Zbrojovka[®], R publique Tch que et sont utilis es sous licence exclusive mondiale pour le Airsoft gun par ActionSportGames[®] A/S, Danemark.

 esk  Zbrojovka[®], Rep blica Checa y su logo son marcas registradas de Česk  Zbrojovka[®], Rep blica Checa y se usan bajo licencia exclusiva mundial para armas de Airsoft gun por ActionSportGames[®] A/S, Dinamarca.



ActionSportGames A/S
Bjergvangen 1
DK-3060 Espergerde
Denmark

www.actionsportgames.com